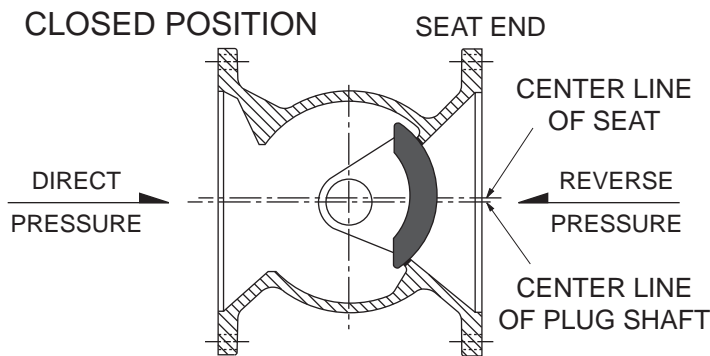
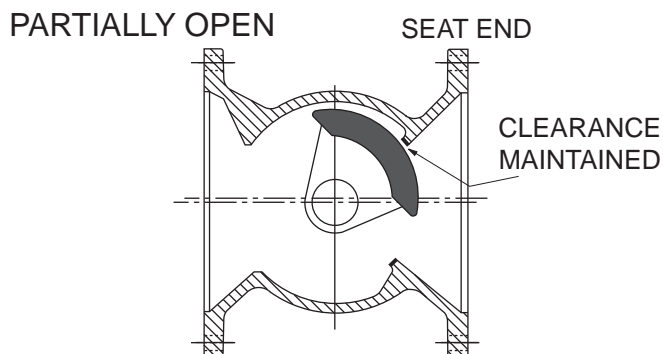


CAM-CENTRIC[®] PLUG VALVE ECCENTRIC ACTION

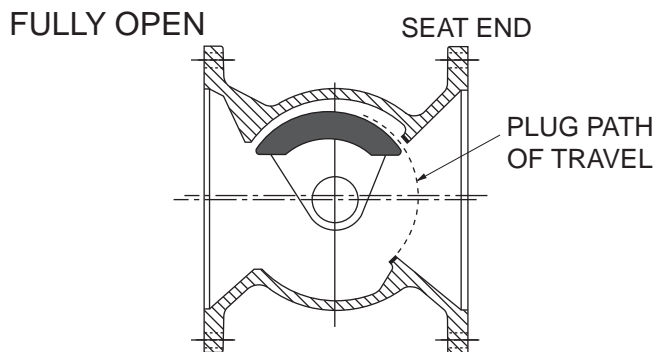
The Cam-Centric[®] Plug Valve is an eccentric acting valve. The seat is eccentrically located from the center line of the valve's shaft. This provides an eccentric action allowing the fully rubber-encapsulated plug to rotate in and out of the seated position without rubbing or scraping, thereby preventing high torque and wear to the valve seat and plug. The valve is designed to control flow and shut off in both the direct and reverse directions.



The eccentric action forces the resilient plug firmly against the seat, assuring a positive valve shut-off. An adjustable limit stop on the actuator allows the plug to be turned further into the seat, providing extended service life.



The eccentric action pulls the plug away from the seat as it rotates open. This action provides clearance between the plug and seat preventing wear and scuffing of the plug. Throttling characteristics can be achieved in partially open positions.



With the eccentric plug rotated to the fully open position, clearance is maintained at all points around the plug. In this position, maximum flow is achieved through the full rectangular port and unrestricted flow way.

Revised 2-17-09

CAM-CENTRIC[®] PLUG VALVE ECCENTRIC ACTION

DATE 11-10-87

VAL-MATIC[®] VALVE AND MANUFACTURING CORP.

DRWG. NO.

SS-606